

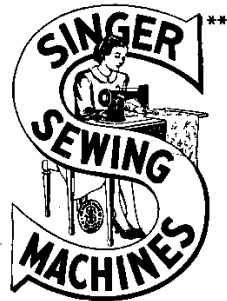
Singer 32-64

Form 19866

(542)

Printed in U. S. A.

LIST OF PARTS



MACHINE No. 32-64

**** A TRADE MARK OF
THE SINGER MANUFACTURING COMPANY**

INSTRUCTIONS FOR OILING

To ensure easy running and prevent unnecessary wear of the parts which are in movable contact, the machine requires oiling and when in continuous use, "TYPE B" or "TYPE D" OIL, sold only by Singer Sewing Machine Company, should be applied at least twice each day to all oil holes marked "OIL", as instructed in Form 19624. "TYPE D" OIL is stainless.

Copyright, U. S. A., 1939, 1940 and 1942
by The Singer Manufacturing Co.
All Rights Reserved for all Countries

INDEX

	Page
Accessories.....	13
Bobbin Winder.....	13
Carpet Guide.....	14
Knee Lifter Parts.....	14
Machine No. 32-64.....	7
Numerical List of Parts.....	17
Tape Reel.....	15
Tape Tension.....	15
Thread Unwinder.....	15

From the library of: Diamond Needle Corp

INSTRUCTIONS FOR ORDERING

In ordering from this list, use ONLY the part NUMBER in the FIRST column.

The number stamped on a Sewing Machine Part is in every case the number of the single part only.

Every combination of parts sent out as such has its specific number, which, although not stamped on the parts, must be used when ordering the combination.

Each number always indicates the SAME PART in whatever list it appears, or for whatever machine.

The letters after some of the numbers indicate the style of finish only, as follows:

A-Hardened, Polished, Nickel Plated and Buffed
A.A-Buffed and Chromium Plated
A.B-Hardened, Polished, Buffed and Chromium Plated
A.C-Brown Baking Enamel Finish
A.D-Gray Baking Enamel Finish
A.E-Hardened, Bright Rumbled and Nickel Plated
A.F-Hardened, Bright Rumbled, Nickel Plated, Bright Rumbled and Chromium Plated
A.G-Alumilite, Plain
A.H-Alumilite, Dyed
A.J-Polished, Nickel Plated and Chromium Plated
A.K-Hardened, Polished, Nickel Plated and Chromium Plated
A.L-Heat Treated for Toughness
B-Polished, Nickel Plated and Buffed
C-Hardened Only
C.R-Hardened and Merlized
D-Polished Only
E-Soft, Not Polished
F-Hardened and Polished
F.J-Hardened, Polished and Nickel Plated
G-Bright Rumbled and Nickel Plated
H-Blued
J-Nickel Plated Only
K-Hardened and Nickel Plated
L-Brass Plated
M-Oxidized
N-Japanned, Dull
P-Japanned, Bright
P.P-Wrinkle Finish
R-Merlized
S-Cadmium Plated
T-Copper Plated
T.A-Hardened, Polished, Copper and Nickel Plated and Buffed
T.B-Copper and Nickel Plated and Polished
T.J-Copper and Nickel Plated Only
T.K-Hardened, Copper and Nickel Plated
T.L-Copper and Brass Plated
T.M-Copper Plated and Oxidized

INSTRUCTIONS FOR ORDERING - Continued

U-Zinc Plated
V-Silver Plated
W-Polished and Nickel Plated
X-Black Oxide, for Iron and Steel
X.C-Hardened and Black Oxide, for Iron or Steel
Y-Black Nickel Plated Only
Z-Chromium Plated
Z.A-Hardened, Polished, Nickel Plated, Buffed and Chromium Plated
Z.B-Polished, Nickel Plated, Buffed and Chromium Plated
Z.C-Hardened and Chromium Plated
Z.D-Polished and Chromium Plated
Z.G-Bright Rumbled, Nickel Plated, Bright Rumbled and Chromium Plated
Z.J-Nickel and Chromium Plated
Z.T-Copper and Chromium Plated

These letters MUST BE USED when they appear in the list; and AFTER the number as in the list.

In this series:

1 to 1500, 50001 to 51500 and 140001 to 142000 are Screw Numbers

1501 to 1800 and 51501 to 51800 are Nut Numbers

1801 to 2000 and 51801 to 52000 are Roller Numbers

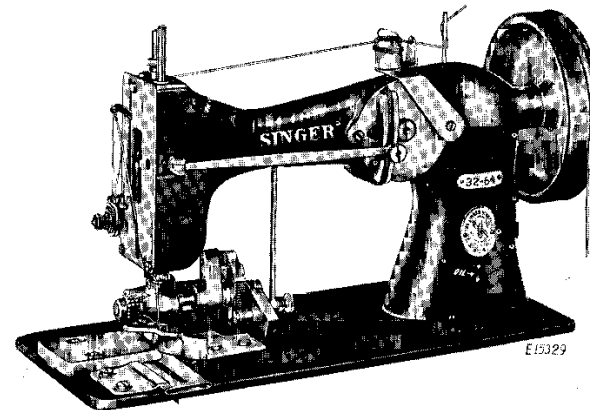
2001 to 50000 and 52001 to 140000 and 142001 to

190000 are Sewing Machine Parts, 190001 and upward are numbers of Electrical Parts.

The figures in the second column refer only to the plates, illustrating the parts, and are NOT TO BE USED in ordering.

Parts marked with an asterisk (*) are furnished only when repairs are made at factory.

LIST OF PARTS COMPLETE
FOR



MACHINE No. 32-64

FOR SERGING AND ATTACHING A BINDING TO THE
EDGE OF CARPETS IN ONE OPERATION WITH A ZIGZAG
STITCH. NEEDLE THROW UP TO $\frac{1}{4}$ INCH. ADJUSTABLE
GUIDES TO CONFORM WITH VARIATION IN THE THROW
OF NEEDLE AND THE WEIGHT OF THE CARPET. UPPER
WHEEL FEED. KNEE LIFTER. SPEED 1200 R. P. M.

No.	Plate	Name
*15670	-----	Arm with 122D, 283J, 7257, 15404 and two 15405.....
2002	3491	Arm Dowel Pin (2).....
123E	3491	" Screw (4).....
15671	3488	" Shaft (horizontal).....
33875	3488	" " " Gear (24 teeth) with 458C.....

No.	Plate	Name
620AL	3490	Needle Bar Frame Pitman Hinge Stud Stop Screw.....
7295	3491	Needle Bar Frame Regulator with 1820
33861	-----	" " " " 7295 with 549C, 7298, 53948 and two 226J..
549C	3491	Needle Bar Frame Regulator Adjusting Screw Stud.....
7070	3491	Needle Bar Frame Regulator Adjusting Screw Stud Sleeve.....
226J	3491	Needle Bar Frame Regulator Adjusting Screw Stud Stop Screw (lower)...
226J	3491	Needle Bar Frame Regulator Adjusting Screw Stud Stop Screw (upper)...
1589J	3491	Needle Bar Frame Regulator Adjusting Screw Stud Thumb Nut.....
1820	3491	Needle Bar Frame Regulator Roller and Stud.....
33948	3491	Needle Bar Frame Regulator Shaft....
6533	3491	" " " " " "
		Collar with 460AL.....
460AL	3491	Needle Bar Frame Regulator Shaft Collar Set Screw.....
7298	3491	Needle Bar Frame Regulator Shaft Pin
577C	3490	" " " " Screw Center (lower)
1517J	3490	" " " " " "
		Nut.....
673F	3490	Needle Bar Frame Screw Center (upper)
1517J	3490	" " " " " "
		Nut.....
15537	3490	Needle Bar Glb.....
7287	3490	" Clamp with 196F.....
196F	3490	" " " Screw.....
7288	3490	" " " Thread Guide.....
665J	3490	" " " " Screw.....
142502	3493	" Plate.....
50231F	3493	" " " Screw (2).....
15588	3490	" Stop Pin.....
44006	3491	Oil Cup Packing (soft round felt)...
44224	3491	" " " Thread Retainer.....
142517	3491	Oil Cup with 44006 and 44224 for oiling the needle thread.....
14031	3492	Oscillating Rock Shaft with 4784....
14856	3492	" " " Crank with 735AL.....
2049	3492	Oscillating Rock Shaft Crank Pin....
735AL	3492	" " " " Set Screw.....
4784	3492	Oscillating Rock Shaft Oil Pad.....
7317	3492	" " " Shaft.....
7318	3492	" " " Crank with 735AL and 1813.....
2049	3492	Oscillating Shaft Crank Pin.....
1813	3492	" " " " Roller and Stud.....
735AL	3492	Oscillating Shaft Crank Set Screw...
15693	3490	Presser Bar.....
52016	3490	" " " Lifter.....
36C	3490	" " " " Hinge Screw.....

No.	Plate	Name
2308	3490	Presser Bar Spring.....
2070	3490	" " " Washer.....
263J	3490	Pressure Regulating Thumb Screw....
2996	3479	Shuttle Bobbin (6).....
15141	3479	" " " Case Hinge, Nos.2973, 2974 and 15140.....
15140	3479	Shuttle Bobbin Case Latch.....
2973	3479	" " " " " Lever.....
2974	3479	" " " " " "
		Fulcrum Pin.....
2975	3479	Shuttle Bobbin Case Latch Spring....
592E	3479	" " " " " Stop Screw
142504	3492	" " " " " Position Plate..
391J	3492	" " " " " "
		Screw (2).....
33942	3479	Shuttle Bobbin Case complete, Nos. 591F,592E,2975,15141 and 15278..
15728	3479	Shuttle Body.....
591F	3479	" Tension Regulating Screw.....
15278	3479	" " " Spring.....
15729	3479	Shuttle, 1 11/16 in. diam., Nos.2996, 15728 and 33942.....
*15730	-----	Shuttle Driver.....
15731	3492	" " " 15730 with two 462AL (for Agents Only).....
2049	-----	Shuttle Driver Pin.....
462AL	3492	" " " Set Screw (2).....
7494	3488	" Pitman with four 196D.....
196D	3488	" " " Cap Screw (4).....
777C	3488	" " " Connecting Ball Joint Screw (2).....
1519J	3488	Shuttle Pitman Connecting Ball Joint Screw Nut (2).....
14832	3488	Shuttle Pitman Crank Wheel with 435AL and 743C.....
743C	3488	Shuttle Pitman Crank Wheel Position Screw.....
435AL	3488	Shuttle Pitman Crank Wheel Set Screw
14049	3492	" Race Back.....
2532	3492	" " " " Position Pin (2)..
2533	3492	" " " " Spring.....
648D	3492	" " " " " Screw.....
33943	3492	" " " " Body.....
142518	-----	" " " " 33943 with 142522 and two 662R.....
142519	-----	Shuttle Race Body 142518 with two 2532.....
142520	-----	Shuttle Race Body 142519 with 142504 and two 391J.....
142521	3492	Shuttle Race complete, Nos. 648D, 2533, 14049 and 142520.....
14050	3492	Shuttle Race Bracket.....
142503	3492	Shuttle Race Bracket complete, Nos. 7317, 7318, 14031, 14050, 14856, 15730 and three 2049.....
14051	3492	Shuttle Race Bracket Adjusting Slide

PARTS FOR MACHINE NO. 32-64

No.	Plate	Name
219F	3492	Shuttle Race Bracket Adjusting Slide Screw (2).....
14105	3492	Shuttle Race Bracket Adjusting Slide Steady Pin (2).....
146D	3492	Shuttle Race Bracket Screw (3).....
142522	3492	" " Cap.....
862R	3492	" " Screw (2).....
57404	-----	" " Oil Tube.....
145F	3492	" " Screw (2).....
142523	3492	" " Lubricating Pad (felt).....
2102	3479	Tension Disc (2).....
1560C	3479	" Regulating Thumb Nut.....
33932	3479	" Releaser with 10136.....
106D	3479	" " Hinge Screw.....
10135	3479	" " Spring.....
10136	3479	" " Hook (2).....
413C	3479	" Screw Stud.....
33892	-----	" " 413C with 1560C..
2103	3479	" Spring (heavy).....
8238	-----	" (light).....
7332	3479	" Thread Guard.....
7331	3479	Tension (heavy) complete, Nos. 2103, 7335, 7336, 33892 and two 2102..
Note: No. 7331 is regularly furnished with this machine unless otherwise specified on order.		
33899	-----	Tension (light) complete, Nos. 7335, 7336, 8238, 33892 and two 2102..
2112	3479	Thread Retaining Disc with 2113.....
2113	3479	" " Steady Pin....
2114	3479	" " Spring.....
2115	3479	" " Stud.....
460AL	3479	" " Set Screw.....
2111	3479	Thread Retainer Guide complete, Nos. 2112, 2114 and 2115.....
7562	3488	Thread Take-up Cam with 448AL.....
2117	3488	" " Pin.....
448AL	3488	" " Set Screw.....
33995	3488	" " Lever with 1822.....
33996	3488	" " 33995 with 79C.....
79C	3488	" " Hinge Screw....
1822	3488	" " Roller and Stud
7335	3479	" " Spring.....
7336	3479	" " Regulator.....
446AL	3479	" " Set Screw.....
*15404	-----	Trade Mark.....
15405	-----	" " Rivet (2).....
7542	3487	Drip Pan (power table) with four 3/4 in. wire nails.....

ACCESSORIES

No.	Plate	Name
27055	3484	Machine Button with wood screw 1 3/4 in. No. 14 R.H.B.....
120342	3484	Oiler (copper plated) with 120343...
120343	3484	" Spout, 3 1/2 in. long.....
41400	3484	Machine Rest Pin (wood).....
26026	3484	Screw Driver (large).....
26485	3484	" " (small).....
8909	3484	Wrench for 1517.....

BOBBIN WINDER

(SWINGING AUTOMATIC, RIGHT HAND)

FOR POWER TABLE

No.	Plate	Name
259430	3494	Bobbin Winder and Tension Bracket Base.....
259428	3494	Brake (leather).....
259429	3494	" Clamp.....
200113F	3494	" " Screw.....
225453	3494	Frame with 202277 and 225458.....
225454	3494	" Hinge Pin.....
202277	3494	" Oil Packing (wick).....
225438	3494	" Well Cap.....
225455	3494	" Spring.....
225456	3494	" Plunger.....
150870	3494	Pulley with 150871 and 200380C.....
150871	3494	" Friction Ring (leather).....
200380C	3494	" Set Screw.....
225381	3494	Spindle.....
225444	3494	Stop Latch.....
200056E	3494	" " Screw.....
225458	3494	" " Thumb Lever.....
225459	3494	" " " " Hinge Stud...
225459	3494	" " " " Joint Stud...
202478	3494	" " Trip Lever.....
200299H	3494	" " " " Hinge Screw...
225461	3494	Tension Bracket with 201499B.....
200082D	3494	" " Screw.....
228026	3494	" " " Washer.....
2102	3494	" Disc (2).....
13710	3494	" Spring.....
201499B	3494	" Stud.....
201572B	3494	" Thumb Nut.....
225462	3494	Tension Bracket complete, Nos. 13710, 201572B, 225461 and two 2102.....

BOBBIN WINDER

No.	Plate	Name
150872	3494	Bobbin Winder (swinging automatic, right hand) complete, Nos. 150870, 200056E, 200082D, 200113F, 200299H, 202478, 225381, 225444, 225453 to 225456, 225458, 225462, 228026, 259428 to 259430 and two each 225459 and wood screws 3/4 in. No. 12 R.H.B.....

CARPET GUIDE

No.	Plate	Name
121855	3493	Carpet Guide (left).....
156J	3493	" " " Screw (2).....
59456	3493	" " " Washer (2).....
121856	3493	" " (right).....
173J	3493	" " " Screw (2).....
7071	3493	" " " Washer (2).....
121857	3493	" " " Plate.....
161J	3493	" " " Screw (2).....
59456	3493	" " " Washer (2).....
121858	3493	Carpet Guide (right) complete, Nos. 121856, 121857 and two each 173J and 7071.....
121859	3493	Carpet Guide Tape Guide (on shank)..
161J	3493	" " " Screw (2)....
59456	3493	" " " Washer (2).....

KNEE LIFTER PARTS

No.	Plate	Name
7535	3486	Lifting Lever.....
802D	3486	" " Hinge Screw.....
15773	3486	" " Spring.....
7538	3490	Presser Bar Lifting Bracket with 740C.....
740C	3490	Presser Bar Lifting Bracket Set Screw.....
2763	3486	Rock Shaft.....
12242	3486	" " Hanger with two wood screws 1 in. No. 10 (2).....
2765	3486	Rock Shaft Knee Arm.....
2766	3486	" " " Hub with 356C....
356C	3486	" " " Set Screw....
2768	-----	Rock Shaft Knee Arm complete, Nos. 2765 to 2767.....
2767	3486	Rock Shaft Knee Plate with 356C.....
356C	3486	" " " Set Screw.....

KNEE LIFTER PARTS

No.	Plate	Name
6337	3486	Rock Shaft Lifting Bracket with two 356C.....
2778	3486	Rock Shaft Lifting Bracket Hook.....
356C	3486	" " " " Set Screw.....
356C	3486	Rock Shaft Lifting Bracket Set Screw
2770	3486	" " Stop Dog, with 140219C...
140219C	3486	" " " Set Screw.....
2777	3486	Rock Shaft complete, Nos. 2763, 2768, 2770, 2778, 6337 and two 12242....
7533	-----	Knee Lifter complete (power table) Nos. 802D, 2777, 7535, 7538 and 15773.....

TAPE REEL

No.	Plate	Name
121702	3487	Disc, 10 in. diam., with 793R (2)....
793R	3487	Disc Thumb Screw (2).....
120909	3487	Spool Holder Rod.....
168B	3487	" " " Set Screw.....
27723	3487	" " Stand Base with 168B and three wood screws 1 in. No. 10.....
121703	3487	Tape Reel complete, Nos. 27723, 120909 and two 121702.....

TAPE TENSION

No.	Plate	Name
121860	3493	Tape Tension Plate.....
121861	3493	" " " Bracket.....
121862	3493	" " Spring (2).....
51570K	3493	" " Stud Nut (2)....
121863	3493	Tape Tension complete, Nos. 121860, 121861, two each 51570K, 121862 and four wood screws 1 in. No.10 F.H.....

THREAD UNWINDER

FOR TWO SPOOLS OR TWO LARGE CONES OF THREAD

No.	Plate	Name
225257	22248	Spool Rest with 201018C.....
150203	22248	" " Cushion (felt) (2).....
225388	22248	" " Rod.....

THREAD UNWINDER

No.	Plate	Name
200383C	22248	Spool Rest Rod Set Screw.....
201018C	22248	" " Set Screw.....
202490	22248	" Stand with 200383C.....
225391	22248	Thread Guide (2).....
201696J	22248	" " Lock Nut.....
225326	22248	" " Position Cup.....
225324	22248	" " Rod with 208AL and 225322.....
208AL	22248	Thread Guide Rod Screw.....
225322	22248	" " Washer.....
225258	22248	Thread Unwinder complete, Nos. 201696J, 202490, 225257, 225324, 225326, 225388, two each 150203, 225391 and three wood screws 7/8 in. No. 12.....
27739	22248	Thread Cone (wood) for large cones..
225390	22248	" " Holder, for inverted cones.....

Note: Nos. 27739 and 225390 are used with, but not included in 225258.

NUMERICAL LIST OF PARTS

No.	Plate	Name
15C	3488	Needle Bar Frame Cam and Bevel Gear Screw for 33950.....
33D	3489	Feed Ratchet Pawl Hinge Screw, for 142514.....
33D	3489	Feed Ratchet Retaining Pawl Hinge Screw for 142514.....
36C	3490	Presser Bar Lifter Hinge Screw.....
79C	3488	Thread Take-up Lever Hinge Screw for 33996.....
106D	3479	Tension Releaser Hinge Screw for 33959.....
122D	3491	Arm Side Plate Screw for 15670.....
123E	3491	Arm Screw (4).....
144D	3488	" Shaft (horizontal) Screw.....
145E	3491	Bed Leg Screw (3).....
145F	3492	Shuttle Race Screw (2).....
146D	3492	Shuttle Race Bracket Screw (3).....
158J	3493	Carpet Guide (left) Screw (2).....
161D	3489	Feed Wheel Shaft Frame Bracket Screw (3).....
161J	3493	Carpet Guide (right) Plate Screw (2).
161J	3493	" " Tape Guide Screw (2)....
168B	3487	Tape Reel Spool Holder Rod Set Screw for 27723.....
173J	3493	Carpet Guide (right) Screw for 121858 (2).....
190J	3479	Face Plate Screw (3).....
190J	3486	Needle Bar Frame Cam and Bevel Gear Cover Screw (2).....
196D	3488	Shuttle Pitman Cap Screw for 7494 (4)
196F	3490	Needle Clamp Screw for 7287.....
208AL	22248	Thread Unwinder Thread Guide Rod Screw for 225324.....
219F	3492	Shuttle Race Bracket Adjusting Slide Screw (2).....
226J	3491	Needle Bar Frame Regulator Adjusting Screw Stud Stop Screw (lower) for 33861.....
226J	3491	Needle Bar Frame Regulator Adjusting Screw Stud Stop Screw (upper) for 33861.....
263J	3490	Pressure Regulating Thumb Screw.....
283J	3491	Arm Side Plate Thumb Screw for 15670.
356C	3486	Rock Shaft Knee Arm Hub Set Screw for 2766.....
356C	3486	Rock Shaft Knee Plate Set Screw for 2767.....
356C	3486	Rock Shaft Lifting Bracket Hook Set Screw for 6337.....
356C	3486	Rock Shaft Lifting Bracket Set Screw for 6337.....
380C	3490	Needle Bar Connecting Link Hinge Screw.....

NUMERICAL LIST OF PARTS

No.	Plate	Name
391J	3492	Shuttle Bobbin Case Position Plate Screw for 142520 (2).....
413C	3479	Tension Screw Stud for 33892.....
428C	3489	Feed Wheel Shaft Frame Connection Hinge Screw for 142514.....
435AL	3488	Shuttle Pitman Crank Wheel Set Screw for 14832.....
446AL	3479	Thread Take-up Spring Regulator Set Screw.....
448AL	3488	Balance Wheel Set Screw for 142511 (2).....
448AL	3488	Feed Eccentric Collar Set Screw for 15677 (2).....
448AL	3488	Feed Eccentric Set Screw for 15676 (2).....
448AL	3488	Thread Take-up Cam Set Screw for 7562
449AL	3488	Arm Shaft (upright) Gear Set Screw for 33876.....
453AL	3490	Needle Bar Connecting Stud Set Screw for 142516 (2).....
453AL	3488	Needle Bar Frame Driving Bevel Pinion Set Screw for 33970 (2).....
458C	3488	Arm Shaft (horizontal) Gear Set Screw for 33875.....
460AL	3491	Needle Bar Frame Regulator Shaft Collar Set Screw for 6533.....
460AL	3479	Thread Retaining Stud Set Screw.....
462AL	3488	Arm Shaft (upright) Collar Set Screw for 7599.....
462AL	3489	Feed Wheel Shaft Frame Hinge Pin Set Screw for 33992.....
462AL	3492	Shuttle Driver Set Screw for 15731 (2).....
549C	3491	Needle Bar Frame Regulator Adjusting Screw Stud for 33861.....
577C	3490	Needle Bar Frame Screw Center (lower)
591F	3479	Shuttle Tension Regulating Screw for 33942.....
592E	3479	Shuttle Bobbin Case Latch Stop Screw for 33942.....
620AL	3490	Needle Bar Frame Pitman Hinge Stud Stop Screw for 7291.....
646F	3490	Needle Bar Frame Pitman Hinge Screw..
648D	3492	Shuttle Race Back Spring Screw for 142521.....
662R	3492	Shuttle Race Cap Screw for 142518 (2)
665J	3490	Needle Clamp Thread Guide Screw for 15721.....
673F	3490	Needle Bar Frame Screw Center (upper)
735AL	3492	Oscillating Rock Shaft Crank Set Screw for 14856.....
735AL	3492	Oscillating Shaft Crank Set Screw for 7318.....
740C	3490	Presser Bar Lifting Bracket Set Screw for 7538.....

NUMERICAL LIST OF PARTS

No.	Plate	Name
743C	3488	Shuttle Pitman Crank Wheel Position Screw for 14832.....
777C	3488	Shuttle Pitman Connecting Ball Joint Screw (2).....
793R	3487	Tape Reel Disc Thumb Screw for 121702 (2).....
802D	3486	Lifting Lever Hinge Screw for 7533...
986C	3489	Feed Regulator Adjusting Screw Stud for 142514.....
1012E	3488	Feed Eccentric Connection Adjusting Screw for 15678.....
1012E	3490	Needle Bar Connecting Link Adjusting Screw for 7283.....
1517J	3490	Needle Bar Frame Screw Center (lower) Nut.....
1517J	3490	Needle Bar Frame Screw Center (upper) Nut.....
1519J	3488	Shuttle Pitman Connecting Ball Joint Screw Nut (2).....
1520J	3490	Needle Bar Connecting Link Hinge Screw Nut.....
1538D	3489	Feed Regulator Adjusting Screw Thumb Nut for 142514.....
1560C	3479	Tension Regulating Thumb Nut for 33892.....
1589J	3491	Needle Bar Frame Regulator Adjusting Screw Stud Thumb Nut.....
1813	3492	Oscillating Shaft Crank Roller and Stud for 7318.....
1820	3491	Needle Bar Frame Regulator Roller and Stud for 7295.....
1822	3488	Thread Take-up Lever Roller and Stud for 33995.....
2002	3491	Arm Dowel Pin (2).....
2049	3492	Oscillating Rock Shaft Crank Pin for 142503.....
2049	3492	Oscillating Shaft Crank Pin for 142503.....
2049	-----	Shuttle Driver Pin for 142503.....
2070	3490	Presser Bar Spring Washer.....
2102	3494	Bobbin Winder Tension Disc for 225462 (2).....
2102	3479	Tension Disc for 7331 and 33899 (2)..
2103	3479	Tension Spring (heavy) for 7331.....
2111	3479	Thread Retainer Guide complete, Nos. 2112, 2114 and 2115.....
2112	3479	Thread Retaining Disc with 2113, for 2111.....
2113	3479	Thread Retaining Disc Steady Pin for 2112.....
2114	3479	Thread Retaining Spring for 2111....
2115	3479	Thread Retaining Stud for 2111.....
2117	3488	Arm Shaft (horizontal) Gear Pin.....
2117	3488	" " (upright) Collar Pin.....
2117	3488	" " " Gear Pin.....
2117	3488	Thread Take-up Cam Pin.....

NUMERICAL LIST OF PARTS

No.	Plate	Name
391J	3492	Shuttle Bobbin Case Position Plate Screw for 142520 (2).....
413C	3479	Tension Screw Stud for 33892.....
428C	3489	Feed Wheel Shaft Frame Connection Hinge Screw for 142514.....
435AL	3488	Shuttle Pitman Crank Wheel Set Screw for 14832.....
446AL	3479	Thread Take-up Spring Regulator Set Screw.....
448AL	3488	Balance Wheel Set Screw for 142511 (2).....
448AL	3488	Feed Eccentric Collar Set Screw for 15677 (2).....
448AL	3488	Feed Eccentric Set Screw for 15676 (2).....
448AL	3488	Thread Take-up Cam Set Screw for 7562
449AL	3488	Arm Shaft (upright) Gear Set Screw for 33876.....
453AL	3490	Needle Bar Connecting Stud Set Screw for 142516 (2).....
453AL	3488	Needle Bar Frame Driving Bevel Pinion Set Screw for 33970 (2).....
458C	3488	Arm Shaft (horizontal) Gear Set Screw for 33875.....
460AL	3491	Needle Bar Frame Regulator Shaft Collar Set Screw for 6533.....
460AL	3479	Thread Retaining Stud Set Screw.....
462AL	3488	Arm Shaft (upright) Collar Set Screw for 7599.....
462AL	3489	Feed Wheel Shaft Frame Hinge Pin Set Screw for 33992.....
462AL	3492	Shuttle Driver Set Screw for 15731 (2).....
549C	3491	Needle Bar Frame Regulator Adjusting Screw Stud for 33861.....
577C	3490	Needle Bar Frame Screw Center (lower)
591F	3479	Shuttle Tension Regulating Screw for 33942.....
592E	3479	Shuttle Bobbin Case Latch Stop Screw for 33942.....
620AL	3490	Needle Bar Frame Pitman Hinge Stud Stop Screw for 7291.....
646F	3490	Needle Bar Frame Pitman Hinge Screw..
648D	3492	Shuttle Race Back Spring Screw for 142521.....
662R	3492	Shuttle Race Cap Screw for 142518 (2)
665J	3490	Needle Clamp Thread Guide Screw for 15721.....
673F	3490	Needle Bar Frame Screw Center (upper)
735AL	3492	Oscillating Rock Shaft Crank Set Screw for 14856.....
735AL	3492	Oscillating Shaft Crank Set Screw for 7318.....
740C	3490	Presser Bar Lifting Bracket Set Screw for 7538.....

NUMERICAL LIST OF PARTS

No.	Plate	Name
743C	3488	Shuttle Pitman Crank Wheel Position Screw for 14832.....
777C	3488	Shuttle Pitman Connecting Ball Joint Screw (2).....
793R	3487	Tape Reel Disc Thumb Screw for 121702 (2).....
802D	3486	Lifting Lever Hinge Screw for 7533...
986C	3489	Feed Regulator Adjusting Screw Stud for 142514.....
1012E	3488	Feed Eccentric Connection Adjusting Screw for 15678.....
1012E	3490	Needle Bar Connecting Link Adjusting Screw for 7283.....
1517J	3490	Needle Bar Frame Screw Center (lower) Nut.....
1517J	3490	Needle Bar Frame Screw Center (upper) Nut.....
1519J	3488	Shuttle Pitman Connecting Ball Joint Screw Nut (2).....
1520J	3490	Needle Bar Connecting Link Hinge Screw Nut.....
1538D	3489	Feed Regulator Adjusting Screw Thumb Nut for 142514.....
1560C	3479	Tension Regulating Thumb Nut for 33892.....
1589J	3491	Needle Bar Frame Regulator Adjusting Screw Stud Thumb Nut.....
1813	3492	Oscillating Shaft Crank Roller and Stud for 7318.....
1820	3491	Needle Bar Frame Regulator Roller and Stud for 7295.....
1822	3488	Thread Take-up Lever Roller and Stud for 33995.....
2002	3491	Arm Dowel Pin (2).....
2049	3492	Oscillating Rock Shaft Crank Pin for 142503.....
2049	3492	Oscillating Shaft Crank Pin for 142503.....
2049	-----	Shuttle Driver Pin for 142503.....
2070	3490	Presser Bar Spring Washer.....
2102	3494	Bobbin Winder Tension Disc for 225462 (2).....
2102	3479	Tension Disc for 7331 and 33899 (2)..
2103	3479	Tension Spring (heavy) for 7331.....
2111	3479	Thread Retainer Guide complete, Nos. 2112, 2114 and 2115.....
2112	3479	Thread Retaining Disc with 2113, for 2111.....
2113	3479	Thread Retaining Disc Steady Pin for 2112.....
2114	3479	Thread Retaining Spring for 2111.....
2115	3479	Thread Retaining Stud for 2111.....
2117	3488	Arm Shaft (horizontal) Gear Pin.....
2117	3488	" " (upright) Collar Pin.....
2117	3488	" " " Gear Pin.....
2117	3488	Thread Take-up Cam Pin.....

No.	Plate	Name
2269	3489	Feed Wheel Shaft Frame Connector Pin
2308	3490	Presser Bar Spring.....
2532	3492	Shuttle Race Back Position Pin for 142519 (2).....
2533	3492	Shuttle Race Back Spring for 142521..
2763	3486	Rock Shaft for 2777.....
2765	3486	" " Knee Arm for 2768.....
2766	3486	" " " " Hub with 356C, for 2768.....
2767	3486	Rock Shaft Knee Plate with 356C, for 2768.....
2768	-----	Rock Shaft Knee Arm complete, for 2777, Nos. 2765 to 2767.....
2770	3486	Rock Shaft Stop Dog with 140219C, for 2777.....
2777	3486	Rock Shaft complete, for 7533, Nos. 2763, 2768, 2770, 2778, 6337 and two 12242.....
2778	3486	Rock Shaft Lifting Bracket Hook for 2777.....
2973	3479	Shuttle Bobbin Case Latch Lever for 15141.....
2974	3489	Feed Ratchet Pawl Spring Pin for 15679 and 15684.....
2974	3489	Feed Ratchet Retaining Pawl Spring Pin for 15681 and 15689.....
2974	3479	Shuttle Bobbin Case Latch Lever Fulcrum Pin for 15141.....
2975	3479	Shuttle Bobbin Case Latch Spring for 33942.....
2996	3479	Shuttle Bobbin for 15729 (6).....
4784	3492	Oscillating Rock Shaft Oil Pad for 14031.....
6312	3489	Feed Regulator Adjusting Screw Thumb Nut Washer for 142514.....
6357	3486	Rock Shaft Lifting Bracket with two 356C, for 2777.....
6533	3491	Needle Bar Frame Regulator Shaft Collar with 460AL.....
7070	3491	Needle Bar Frame Regulator Adjusting Screw Stud Sleeve.....
7071	3493	Carpet Guide (right) Screw Washer for 121858 (2).....
*7257	-----	Arm Side Plate for 15670.....
7259	3491	Bed Leg (3).....
7283	3490	Needle Bar Connecting Link with 1012E
7287	3490	Needle Clamp with 196F, for 15721....
7288	3490	Needle Clamp Thread Guide for 15721..
7290	3486	Needle Bar Frame Cam and Bevel Gear Cover.....
7291	3490	Needle Bar Frame with 620AL.....
7293	3491	Needle Bar Frame Pitman.....
7294	3490	Needle Bar Frame Pitman Hinge Stud...
7295	3491	Needle Bar Frame Regulator with 1820, for 33861.....

No.	Plate	Name
7298	3491	Needle Bar Frame Regulator Shaft Pin for 33861.....
7317	3492	Oscillating Shaft for 142503.....
7318	3492	Oscillating Shaft Crank with 735AL and 1813, for 142503.....
7331	3479	Tension (heavy) complete, Nos.2103, 7335, 7336, 33892 and two 2102... Note: No. 7331 is regularly furnished with this machine unless otherwise specified on order.
7332	3479	Tension Thread Guard.....
7335	3479	Thread Take-up Spring for 7331 and 33899.....
7336	3479	Thread Take-up Spring Regulator for 7331 and 33899.....
7471	3488	Arm Shaft (upright).....
7494	3488	Shuttle Pitman with four 196D.....
7533	-----	Knee Lifter complete (power table) Nos. 802D, 2777, 7535, 7538 and 15773.....
7535	3486	Lifting Lever for 7533.....
7538	3490	Presser Bar Lifting Bracket with 7400 for 7533.....
7542	3487	Drip Pan (power table) with four 3/4 in. wire nails.....
7562	3488	Thread Take-up Cam with 448AL.....
7599	3488	Arm Shaft (upright) Collar with 462AL
7652	3490	Needle Bar with 15588, for 15721....
7958	3489	Feed Ratchet Wheel Pin for 142514....
7958	3489	Feed Wheel Pin for 142514.....
7958	3489	Feed Wheel Shaft Collar Pin for 142514.....
8238	-----	Tension Spring (light) for 33899.....
8879	3488	Arm Spool Pin Washer (cloth).....
8909	3484	Wrench for 1517 (Accessories).....
10135	3479	Tension Releaser Spring for 33959....
10136	3479	Tension Releaser Spring Hook for 33932 and 33958 (2).....
12242	3486	Rock Shaft Hanger with two wood Screws 1 in. No. 10, for 2777 (2)
13710	3494	Bobbin Winder Tension Spring, for 225462.....
14031	3492	Oscillating Rock Shaft with 4784, for 142503.....
14049	3492	Shuttle Race Back for 142521.....
14050	3492	Shuttle Race Bracket for 142503.....
14051	3492	Shuttle Race Bracket Adjusting Slide
14105	3492	Shuttle Race Bracket Adjusting Slide Steady Pin (2).....
14832	3488	Shuttle Pitman Crank Wheel with 435AL and 743C.....
14856	3492	Oscillating Rock Shaft Crank with 735AL, for 142503.....
15140	3479	Shuttle Bobbin Case Latch for 15141..
15141	3479	Shuttle Bobbin Case Hinge, for 33942, Nos. 2973, 2974 and 15140.....
15278	3479	Shuttle Tension Spring for 33942.....

No.	Plate	Name
*15404	-----	Trade Mark for 15670.....
15405	-----	Trade Mark Rivet for 15670 (2).....
15537	3490	Needle Bar Gib for 15721.....
15588	3490	Needle Stop Pin for 7652.....
*15670	-----	Arm with 122D, 283J, 7257, 15404 and two 15405.....
15671	3488	Arm Shaft (horizontal).....
15676	3488	Feed Eccentric with two 448AL.....
15677	3488	Feed Eccentric Collar with two 448AL.....
15678	3488	Feed Eccentric Connection with 1012E.....
15679	3489	Feed Ratchet Pawl with 2974, for 142514.....
15680	3489	Feed Ratchet Pawl Spring for 142514..
15681	3489	Feed Ratchet Retaining Pawl with 2974, for 142514.....
15682	3489	Feed Ratchet Retaining Pawl Spring for 142514.....
15684	3489	Feed Regulator with 2974, for 142514..
15685	3489	Feed Regulator Adjusting Screw Sleeve for 142514.....
15686	3489	Feed Wheel for 142514.....
15687	3489	Feed Wheel Shaft for 142514.....
15688	3489	Feed Wheel Shaft Collar for 142514...
15689	3489	Feed Wheel Shaft Frame with 2974, for 142514.....
15691	3489	Feed Wheel Shaft Frame Connection for 142514.....
15692	3489	Feed Wheel Shaft Frame Hinge Pin for 142514.....
15693	3490	Presser Bar.....
15721	-----	Needle Bar complete, Nos. 665J, 7287, 7288, 7652 and 15537.....
15728	3479	Shuttle Body for 15729.....
15729	3479	Shuttle, 1 11/16 in. diam., Nos. 2996, 15728 and 33942.....
*15730	-----	Shuttle Driver for 15731 and 142503..
15731	3492	Shuttle Driver 15730 with two 462AL (for Agents Only).....
15773	3486	Lifting Lever Spring for 7533.....
15783	3488	Arm Shaft (upright) Lower Bearing Oil Tube.....
26026	3484	Screw Driver (large) Accessories....
26485	3484	Screw Driver (small) Accessories....
27055	3484	Machine Button with wood screw 1 3/4 in. No. 14 R.H.B. (Accessories)..
27723	3487	Tape Reel Spool Holder Stand Base with 168B and three wood screws 1 in. No. 10, for 121703.....
27739	22248	Thread Unwinder Thread Cone (wood) for large cones, for use with 225258.....
33861	-----	Needle Bar Frame Regulator 7295 with 549C, 7298, 33948 and two 226J...
33875	3488	Arm Shaft (horizontal) Gear (24 teeth) with 458C.....

33876	3488	Arm Shaft (upright) Gear (24 teeth) with 449AL.....
33892	-----	Tension Screw Stud 413C with 1560C, for 7331 and 33899.....
33899	-----	Tension (light) complete, Nos. 7335, 7336, 8238, 33892 and two 2102...
33932	3479	Tension Releaser with 10136, for 33959.....
33942	3479	Shuttle Bobbin Case complete, for 15729, Nos. 591F, 592E, 2975, 15141 and 15278.....
33943	3492	Shuttle Race Body for 142518.....
33948	3491	Needle Bar Frame Regulator Shaft for 33861.....
33950	3488	Needle Bar Frame Cam and Bevel Gear (36 teeth) with 15C.....
33958	3479	Face Plate with 10136 for 33959.....
33959	3479	Face Plate with Tension Releaser com- plete, Nos. 106D, 10135, 33932 and 33958.....
33970	3488	Needle Bar Frame Driving Bevel Pinion (18 teeth) with two 453AL.....
33992	3489	Feed Wheel Shaft Frame Bracket with 462AL, for 142514.....
33995	3488	Thread Take-up Lever with 1822, for 33996.....
33996	3488	Thread Take-up Lever 33995 with 79C..
41400	3484	Machine Rest Pin (wood) Accessories..
44006	3491	Oil Cup Packing (soft round felt) for 142517.....
44224	3491	Oil Cup Thread Retainer for 142517...
50231F	3493	Needle Plate Screw (2).....
51570K	3493	Tape Tension Spring Stud Nut for 121863 (2).....
52016	3490	Presser Bar Lifter.....
52239	3488	Arm Spool Pin and Thread Eyelet.....
57404	-----	Shuttle Race Oil Tube.....
59456	3493	Carpet Guide (left) Screw Washer (2)
59456	3493	Carpet Guide (right) Plate Screw Washer (2).....
59456	3493	Carpet Guide Tape Guide Screw Washer (2).....
120342	3484	Oiler (copper plated) with 120343 (Accessories).....
120343	3484	Oiler Spout, 3 1/2 in. long, for 120342.....
120909	3487	Tape Reel Spool Holder Rod, for 121703.....
121702	3487	Tape Reel Disc, 10 in. diam., with 793R, for 121703 (2).....
121703	3487	Tape Reel complete, Nos. 27723, 120909 and two 121702.....
121855	3493	Carpet Guide (left).....
121856	3493	Carpet Guide (right) for 121858.....
121857	3493	Carpet Guide (right) Plate for 121858
121858	3493	Carpet Guide (right) complete, Nos. 121856, 121857 and two each 173J and 7071.....

NUMERICAL LIST OF PARTS

No.	Plate	Name
121859	3493	Carpet Guide Tape Guide (on shank)...
121860	3493	Tape Tension Plate for 121863.....
121861	3493	Tape Tension Plate Bracket for 121863
121862	3493	Tape Tension Spring for 121863 (2)...
121863	3493	Tape Tension complete, Nos. 121860, 121861, two each 51570K, 121862 and four wood screws 1 in. No. 10 F.H.....
140219C	3486	Rock Shaft Stop Dog Set Screw for 2770.....
142502	3493	Needle Plate.....
142503	3492	Shuttle Race Bracket complete, Nos. 7317,7318,14031,14050,14856,15730 and three 2049.....
142504	3492	Shuttle Bobbin Case Position Plate for 142520.....
142511	3488	Balance Wheel, 5 1/4 in. pulley, with two 448AL.....
142513	3489	Feed Ratchet Wheel (60 teeth) for 142514.....
142514	3489	Feed Wheel complete, Nos. 428C, 986C, 1538D,6312,15679 to 15682, 15684 to 15689,15691,15692,33992,142513, two 33D and three 7958.....
*142515	-----	Bed.....
142516	3490	Needle Bar Connecting Stud with two 453AL.....
142517	3491	Oil Cup with 44006 and 44224, for oiling the needle thread.....
142518	-----	Shuttle Race Body 33943 with 142522 and two 662R, for 142519.....
142519	-----	Shuttle Race Body 142518 with two 2532, for 142520.....
142520	-----	Shuttle Race Body 142519 with 142504 and two 391J, for 142521.....
142521	3492	Shuttle Race complete, Nos. 648D,2533, 14049 and 142520.....
142522	3492	Shuttle Race Cap for 142518.....
142523	3492	Shuttle Race Lubricating Pad (felt)..
150203	22248	Thread Unwinder Spool Rest, Cushion (felt) for 225258 (2).....
150870	3494	Bobbin Winder Pulley with 150871 and 200380C, for 150872.....
150871	3494	Bobbin Winder Pulley Friction Ring (leather) for 150870.....
150872	3494	Bobbin Winder (swinging automatic, right hand) complete, for Power Table Nos. 150870,200056E,200082D, 200113F,200299H,202478,225381, 225444,225453 to 225456,225458, 225462,228026,259428 to 259430 and two each 225459 and wood screws 3/4 in. No. 12 R.H.B.....
200056E	3494	Bobbin Winder Stop Latch Screw for 150872.....
200082D	3494	Bobbin Winder Tension Bracket Screw for 150872.....

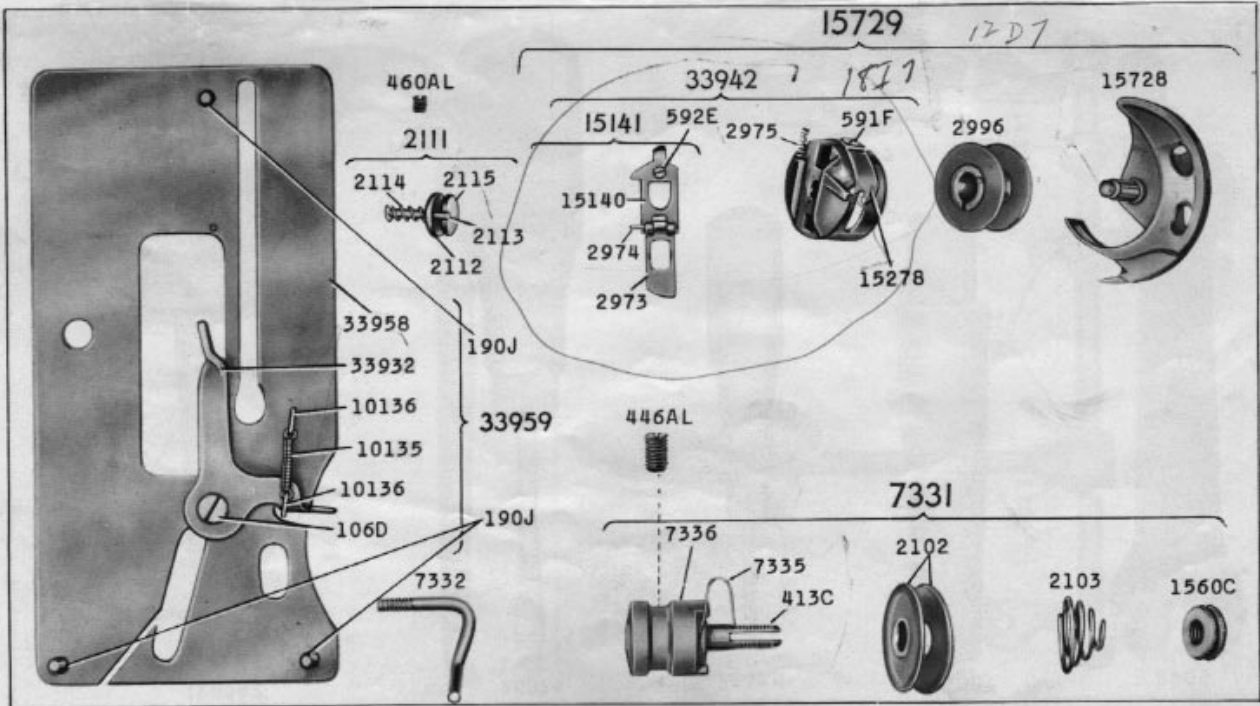
NUMERICAL LIST OF PARTS

No.	Plate	Name
200113F	3494	Bobbin Winder Brake Clamp Screw for 150872.....
200299H	3494	Bobbin Winder Stop Latch Trip Lever Hinge Screw for 150872.....
200380C	3494	Bobbin Winder Pulley Set Screw for 150870.....
200383C	22248	Thread Unwinder Spool Rest Rod Set Screw for 202490.....
201018C	22248	Thread Unwinder Spool Rest Set Screw for 225257.....
201499B	3494	Bobbin Winder Tension Stud for 225461
201572B	3494	Bobbin Winder Tension Thumb Nut for 225462.....
201696J	22248	Thread Unwinder Thread Guide Lock Nut for 225258.....
202277	3494	Bobbin Winder Frame Oil Packing (wick) for 225453.....
202478	3494	Bobbin Winder Stop Latch Trip Lever for 150872.....
202490	22248	Thread Unwinder Spool Stand with 200383C, for 225258.....
225257	22248	Thread Unwinder Spool Rest with 201018C for 225258.....
225258	22248	Thread Unwinder complete, for two spools or two large cones of thread, Nos. 201696J,202490, 225257,225324,225326,225388, two each 150203, 225391 and three wood screws 7/8 in. No. 12.....
225322	22248	Thread Unwinder Thread Guide Rod Washer for 225324.....
225324	22248	Thread Unwinder Thread Guide Rod with 208AL and 225322, for 225258.....
225326	22248	Thread Unwinder Thread Guide Position Cup for 225258.....
225381	3494	Bobbin Winder Spindle for 150872.....
225388	22248	Thread Unwinder Spool Rest Rod for 225258.....
225390	22248	Thread Unwinder Thread Cone Holder, for inverted cones, for use with 225258.....
225391	22248	Thread Unwinder Thread Guide for 225258 (2).....
225438	3494	Bobbin Winder Frame Oil Well Cap for 225453.....
225444	3494	Bobbin Winder Stop Latch for 150872..
225453	3494	Bobbin Winder Frame with 202277 and 225438, for 150872.....
225454	3494	Bobbin Winder Frame Hinge Pin for 150872.....
225455	3494	Bobbin Winder Frame Spring for 150872
225456	3494	Bobbin Winder Frame Spring Plunger for 150872.....
225458	3494	Bobbin Winder Stop Latch Thumb Lever for 150872.....

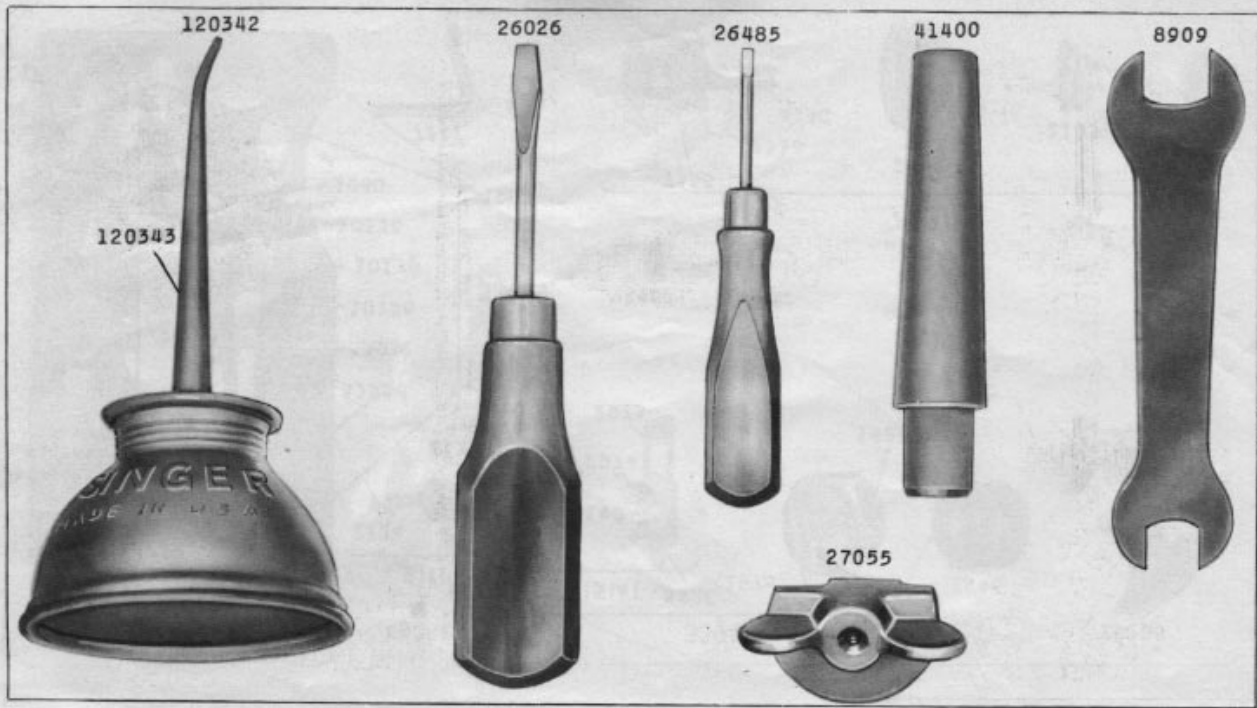
From the library of: Diamond Needle Corp

NUMERICAL LIST OF PARTS

No.	Plate	Name
225459	3494	Bobbin Winder Stop Latch Thumb Lever Hinge Stud for 150872.....
225459	3494	Bobbin Winder Stop Latch Thumb Lever Joint Stud, for 150872.....
225461	3494	Bobbin Winder Tension Bracket with 201499B, for 225462.....
225462	3494	Bobbin Winder Tension Bracket com- plete, for 150872, Nos. 13710, 201572B, 225461 and two 2102.....
228026	3494	Bobbin Winder Tension Bracket Screw Washer for 150872.....
259428	3494	Bobbin Winder Brake (leather) for 150872.....
259429	3494	Bobbin Winder Brake Clamp for 150872.
259430	3494	Bobbin Winder and Tension Bracket Base for 150872.....

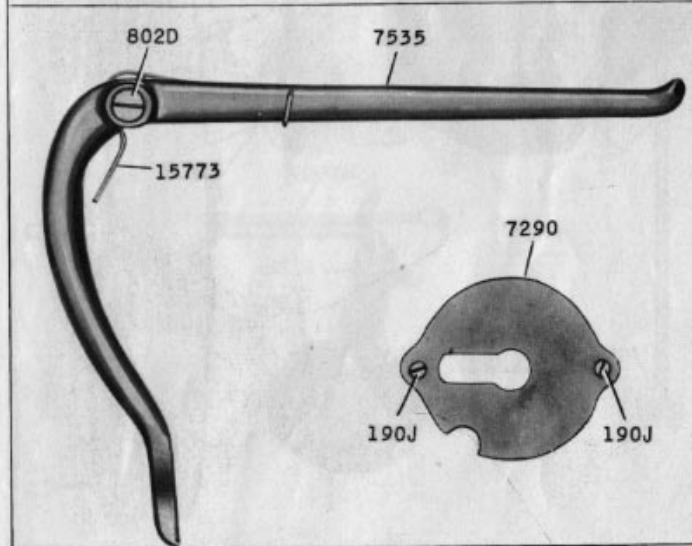
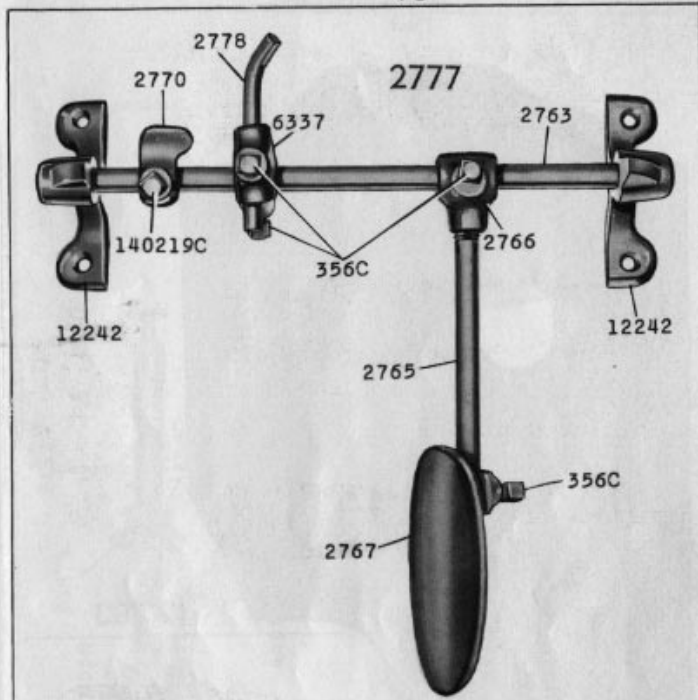


3479 - 2/3

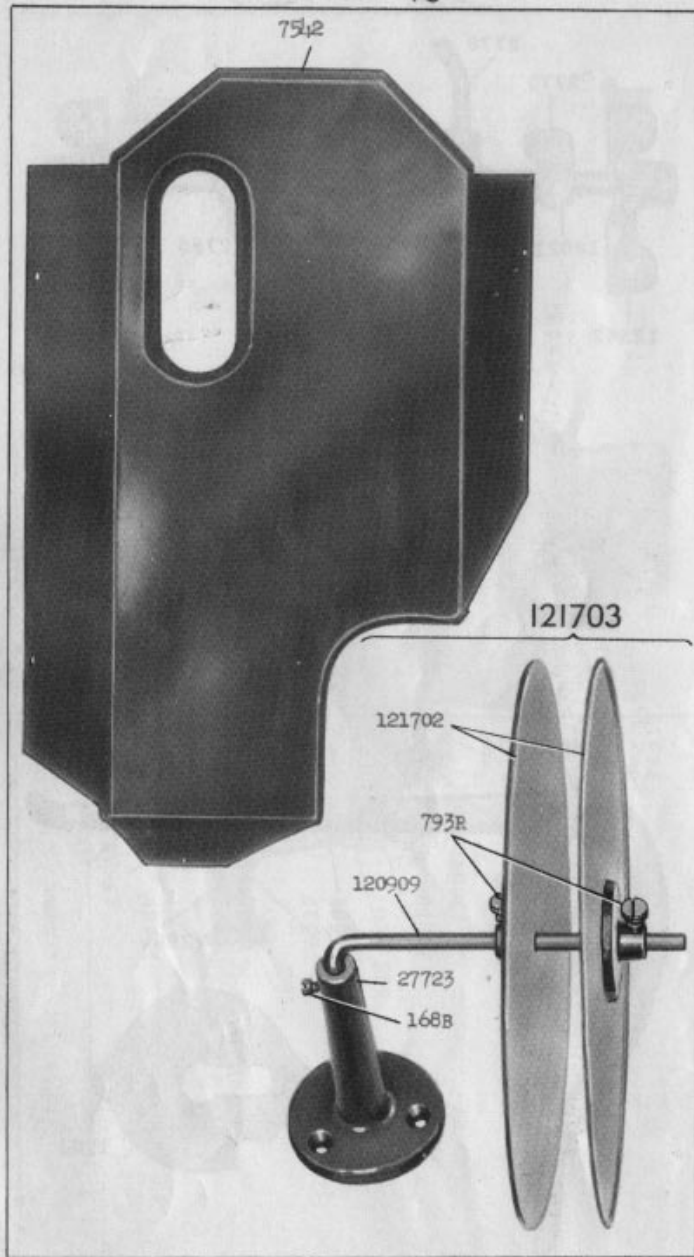


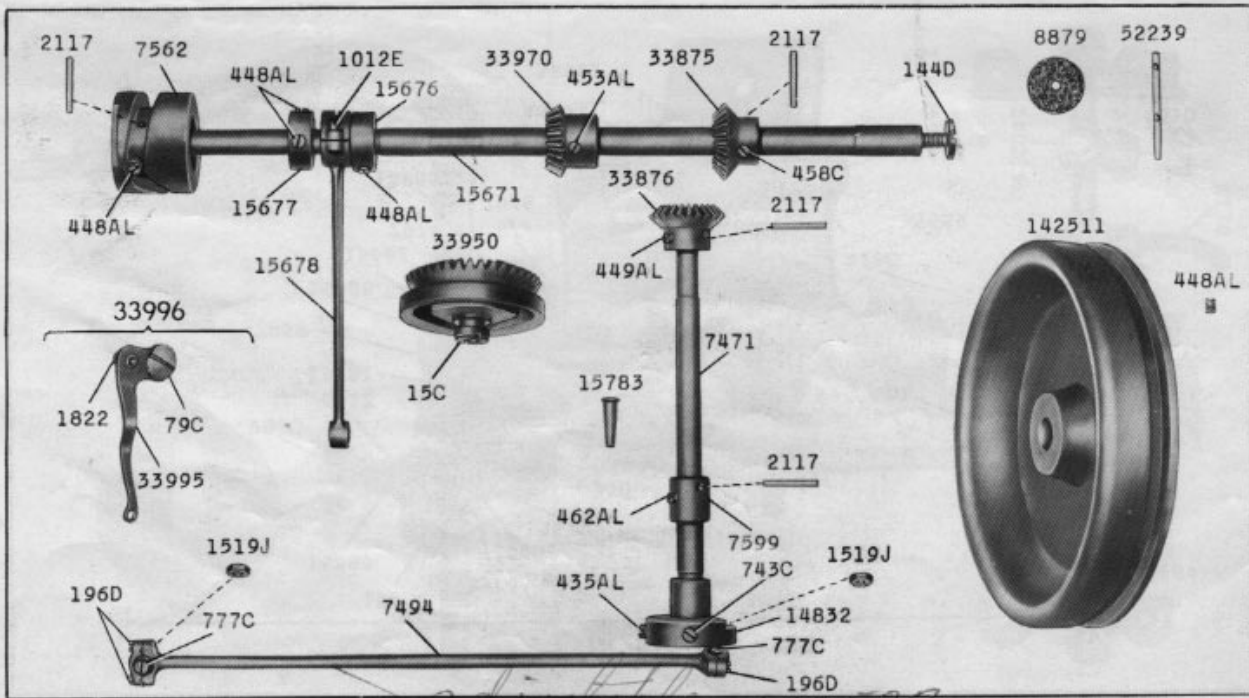
3484 - 2/3

3486 - 1/3



3487 - 1/3

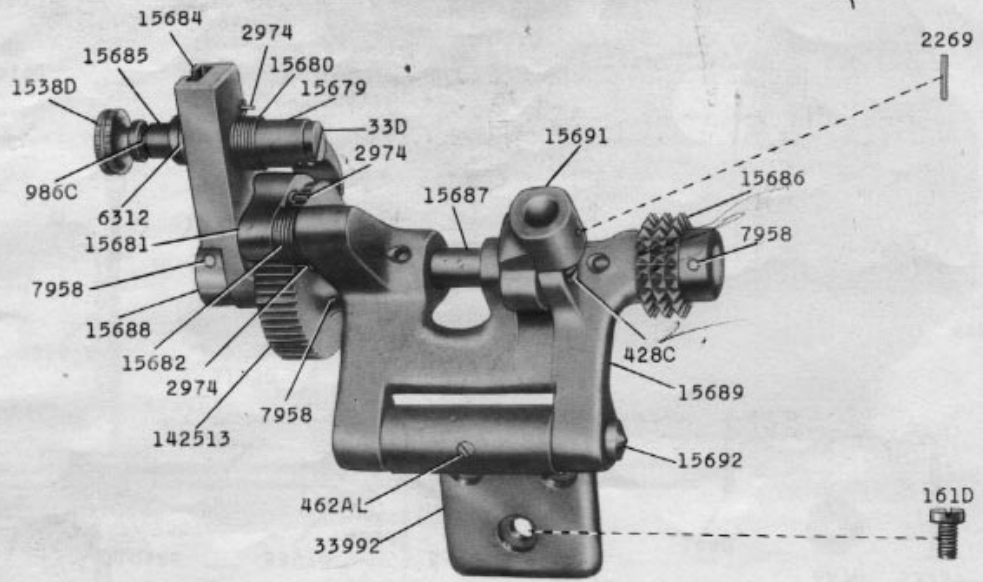




adjustable 142527

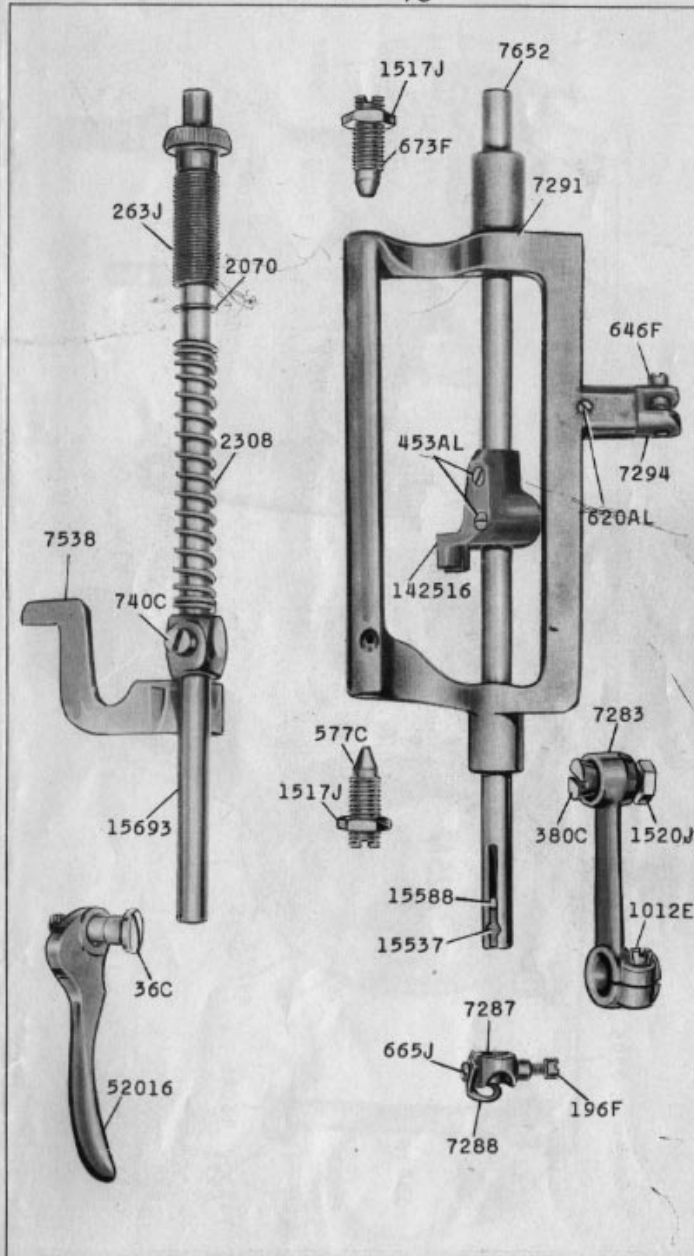
3488 - 1/3

142514

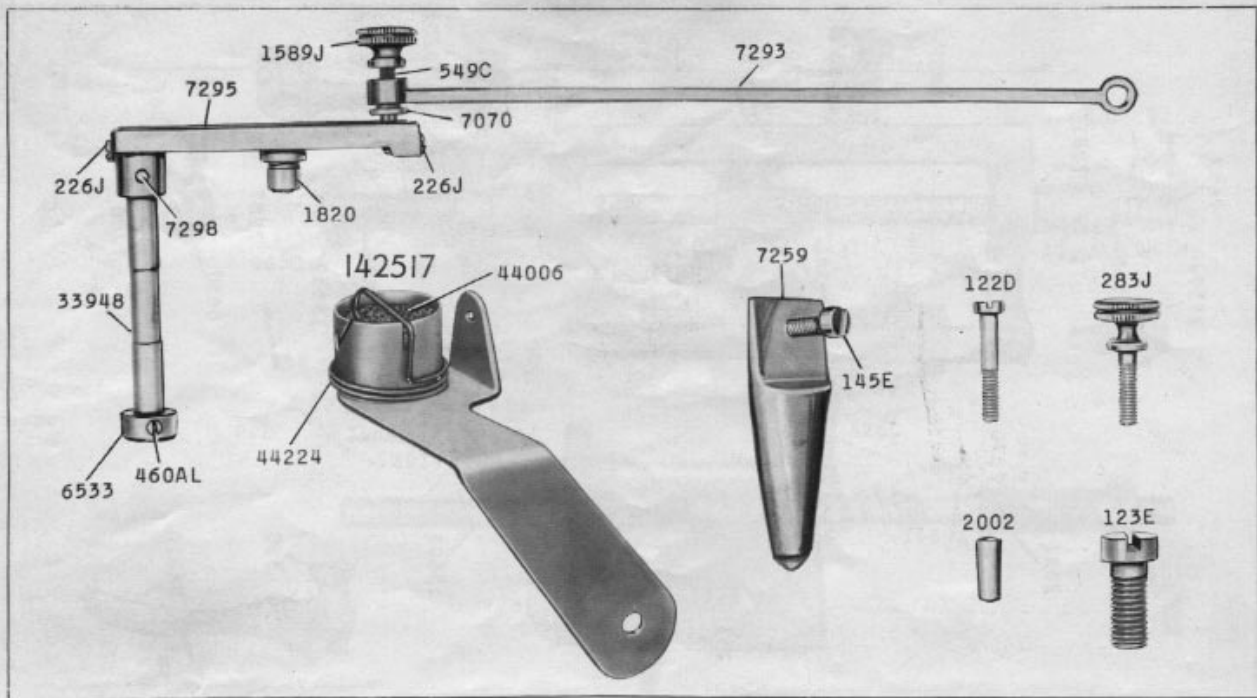


3489 - 2/3

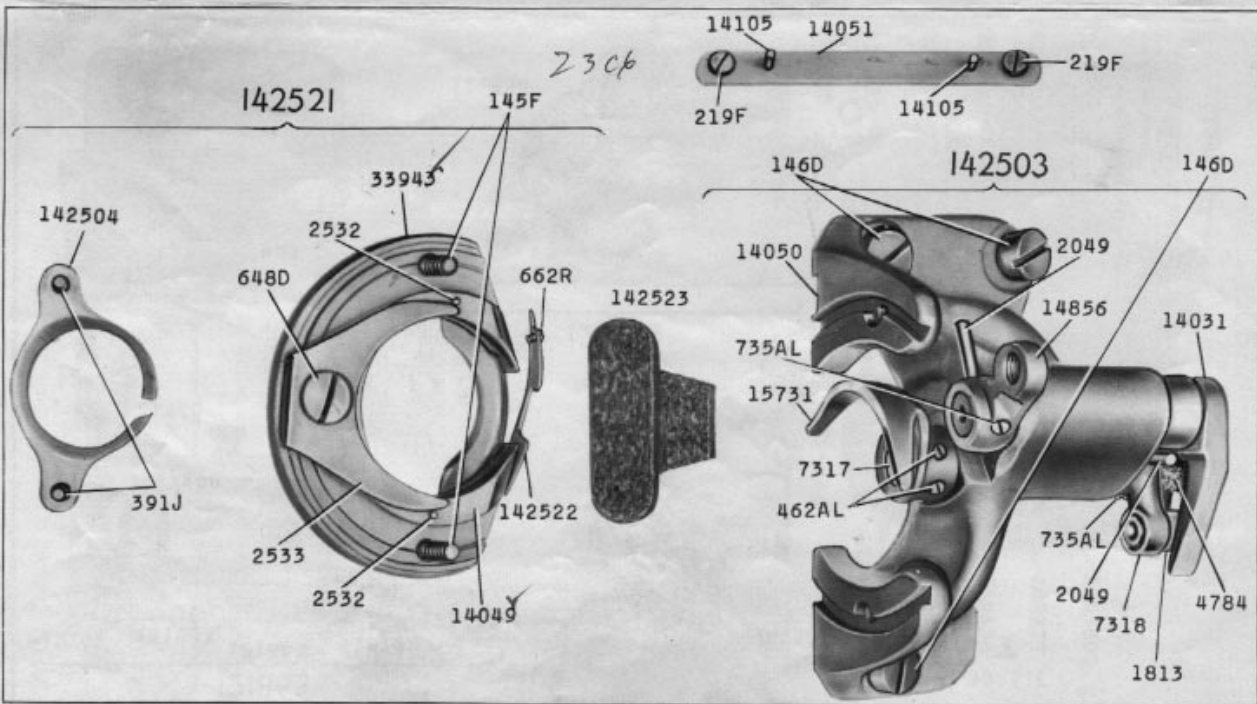
3490 - 2/3



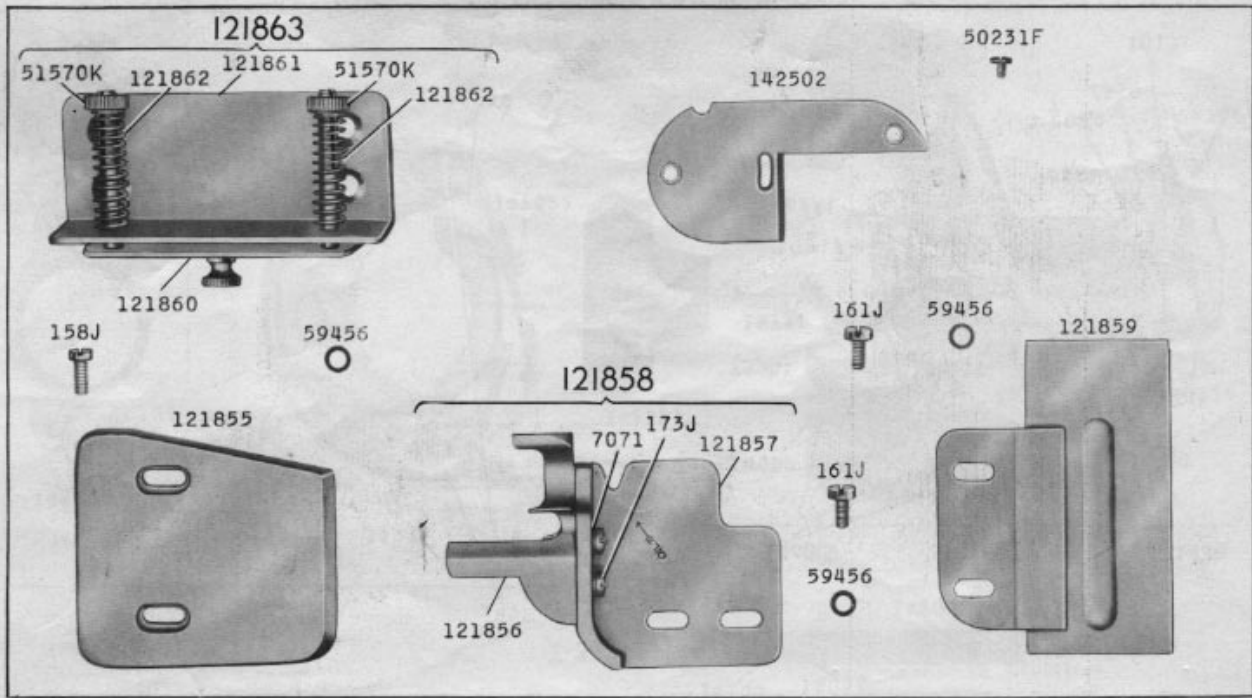
From the library of: Diamond Needle Corp



3491 - 2/3



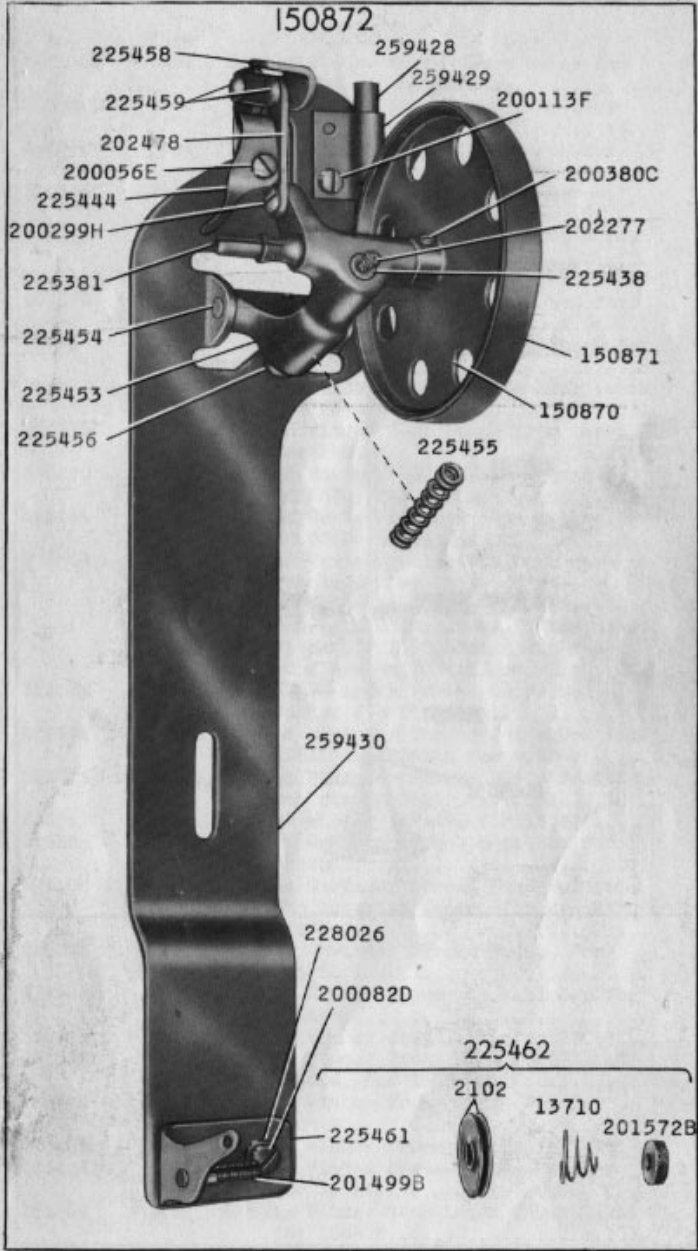
3492 - 2/3



3493 - 2/3

3494 - 1/2

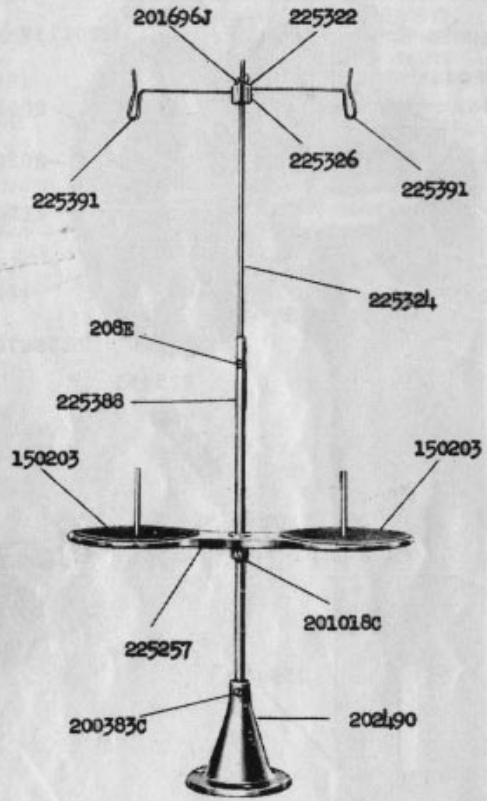
150872



From the library of: Diamond Needle Corp

22248 - 1/8

225258



27739



225390

